



ANLY TIMER

ANLY

SST- 4 SOLID STATE TIMER



CHARACTERISTIC :

- Contact-Free control for fast operation and long life
- Humidity resistant, suitable for air conditioner and refrigeration equipment
- Wide operating voltage range in a single unit, from AC 80V - 240V
- Wide timing range (1~1023sec or 1~1023 min) selectable via DIP switch

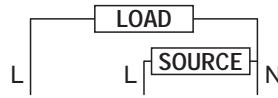
SPECIFICATION :

Operating voltage	AC(V): 80 - 240
Allowable operating voltage range	85~110% of rated operating voltage
Rated frequency	50 / 60 Hz
Contact rating	250VAC 3A (resistive load)
Reset time	MAX 0.1S
Power consumption	Approx. 1.2VA
Life	Electrical: 100,000 times
Ambient temperature	-10 ~ +50°C (without condensation & freezing)
Ambient humidity	MAX 85%RH (without condensation)
Altitude	MAX 2000m
Weight	Approx. 63g

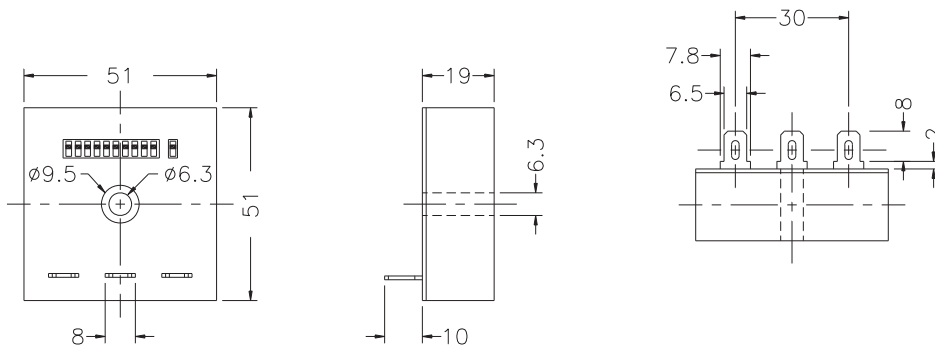
TYPE SELECTION :

Type	SST-4
Output contact	1a (3Amp)
Time range	1023S / 1023M DIP switch setting

CONNECTION :



DIMENSIONS : (mm)



Tolerance: ± 0.1

ANLY ELECTRONICS CO., LTD.

<http://www.anly.com.tw>

TAIWAN MAIN OFFICE : ANLY ELECTRONICS CO., LTD.

No.19, Lane 202, Fushou St., Xinzhuang Dist., New Taipei City 242, Taiwan
TEL: +886-2-2996-3202 FAX: +886-2-2996-2017

HONG KONG OFFICE : ANLY ELECTRONICS (HK) LTD.

Flat K, 13/F, Edward Mansion, 141 Prince Edward Road W., Kowloon, Hong Kong
TEL: +852-2397-2505 FAX: +852-2397-6080

CHINA OFFICE : ANLY TECHNOLOGY (WUXI) CO., LTD.

2F, Building A, Plot 1, No. 28, Zhanhong Rd., Xinwu Dist., Wuxi, Jiangsu, P.R.China
TEL: +86-510-85304801-3

MALAYSIA OFFICE : JUSTY ELECTRONICS (M) SDN, BHD.

No.1, Jalan 6/89B, Kawasan Perindustrian Trisegi, Batu 3 1/2 Off Jalan Sungei Besi, 57100 Kuala Lumpur, Malaysia
TEL: +60-3-7983-5758 FAX: +60-3-7981-5052

INDONESIA OFFICE : PT. ANLY ELECTRONICS INDONESIA

Jl. Pangeran Jayakarta 117/B9, Jakarta Pusat, 10730 Indonesia
TEL: +62-21-624-8436 FAX: +62-21-626-1228

NO. SST4-W-A